

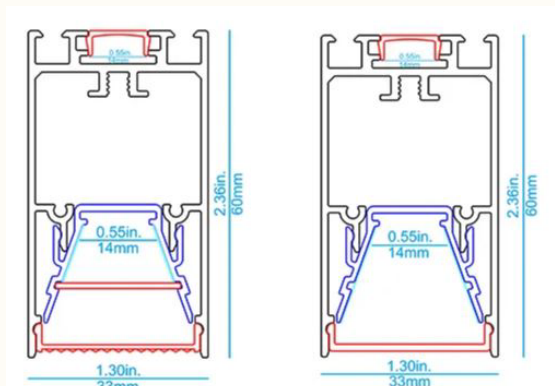
MLP33 SPEC SHEET

MLP33 LINEAR LED PROFILE

MLP33 is a slim linear LED profile designed for modern architectural and commercial lighting applications. Its clean rectangular form makes it suitable for offices, retail spaces, hospitality interiors and residential projects where minimal design and uniform light output are required.

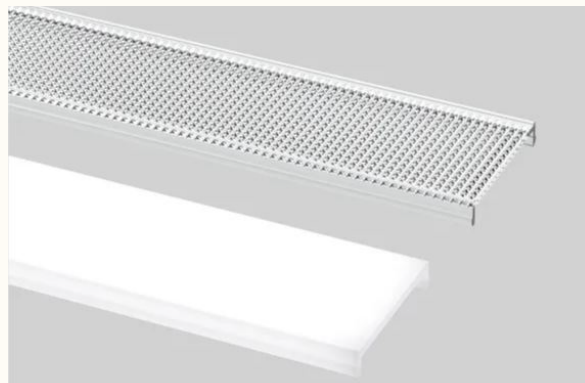


— PRECISION LINEAR LIGHTING FOR MODERN INTERIORS —



PROFILE CROSS SECTION

Compact aluminium body with integrated diffuser and clean architectural finish.



DIFFUSER OPTIONS

Opal, micro-prismatic or low-glare diffuser options for different project requirements.

ORDER / PROJECT ENQUIRIES:

www.mrlumen.com
info@mrlumen.com

FOR MORE INFORMATION:

Email: info@mrlumen.com
Website: www.mrlumen.com



CUSTOM CONFIGURATION AVAILABLE

Each luminaire can be supplied with project-specific length, colour temperature, control option and mounting accessories.

TECHNICAL DATA SPECIFICATION

ITEM	DESCRIPTION
FINISH	BLACK / WHITE / SILVER / GOLD / CUSTOM
CEILING PLATE FINISH	BLACK / WHITE / SILVER / GOLD / CUSTOM
MOUNTING TYPE	SUSPENDED / SURFACE / ROD
LENS	OPAL / PRISMATIC
LED	HE / HO / TUNABLE WHITE / RGBW
CURRENT	200 / 250 / 300 / 350 / 400 / 500MA
TEMP	2700K / 3000K / 4000K / 2700K-6500K
DIMMING	NON DIM / DALI DIM / SWITCH DIM / CASAMBI
CRI	80 / 90
CONTROL GEAR	INTEGRAL

How to order / project workflow: HOW TO SPECIFY YOUR LUMINAIRE

- Choose profile type and mounting method
- Select length, finish and diffuser option
- Choose colour temperature and control type
- Send project drawings or schedule for quotation
- Receive technical confirmation and production lead time

